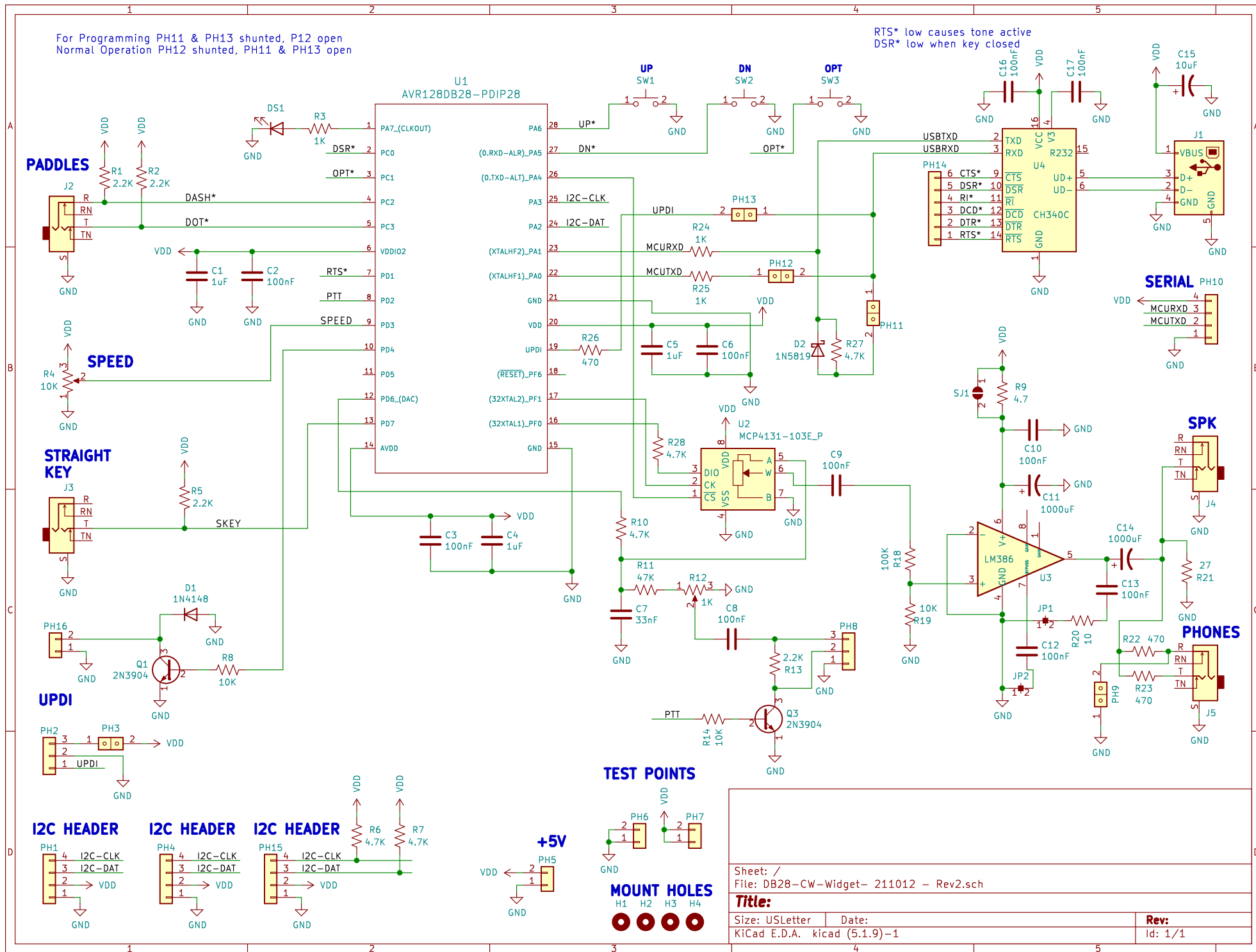


For Programming PH11 & PH13 shunted, P12 open
Normal Operation PH12 shunted, PH11 & PH13 open

RTS* low causes tone active
DSR* low when key closed



Sheet: /
File: DB28-CW-Widget- 211012 - Rev2.sch

Title:		Rev:
Size: USLetter	Date:	
KiCad E.D.A. kicad (5.1.9)-1		Id: 1/1