

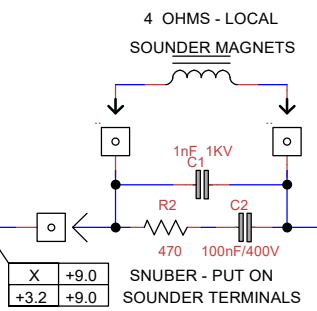
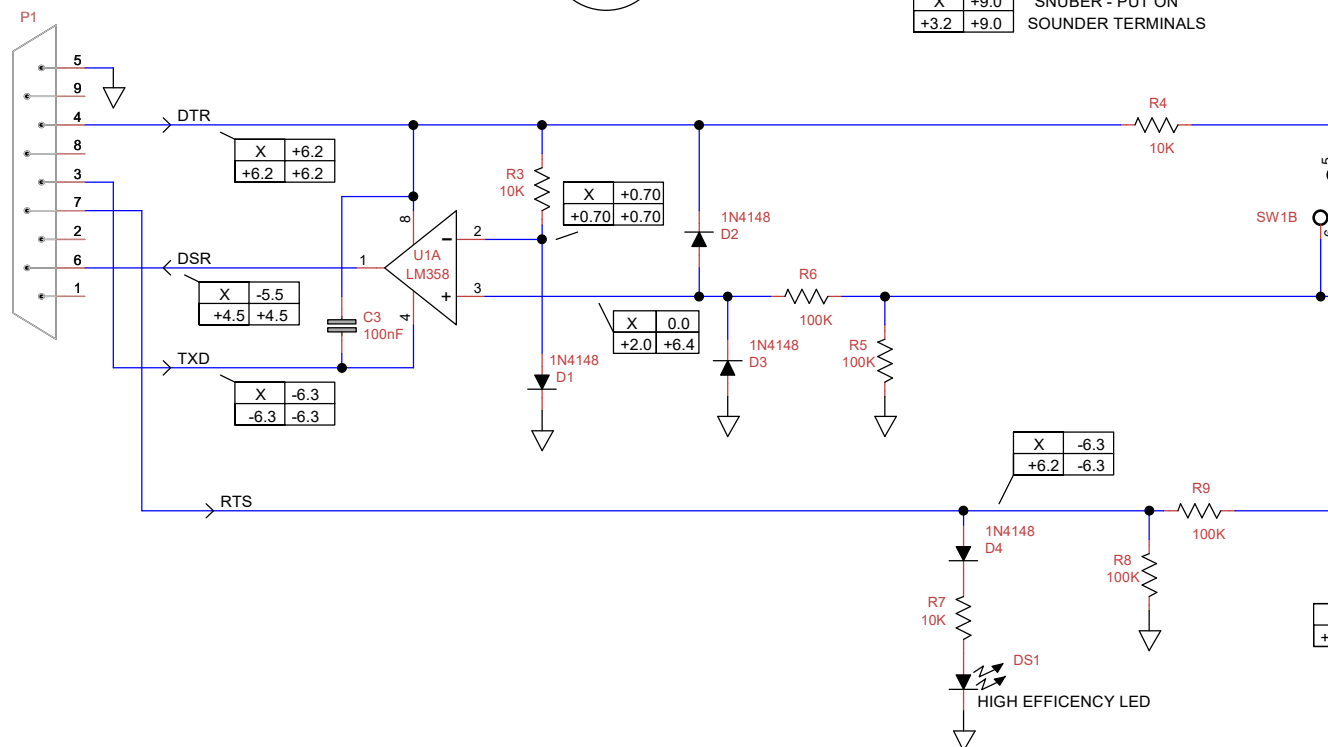
**KEY PARTS RECOMENDATIONS**  
**ALL ARE AVAILABLE FROM MOUSER.COM**

- POWER MOFSET - INFINEON IRL640A
- SUPPRESSOR DV1 150V - LITTLEFUZE P6KE150A
- FUSE 500mA - BEL 5ST-500R
- FUSE 160mA - BEL 5ST-160R
- 1nF 1KV - VISHAY H102K25X7RN63J5R
- 100NF 400V FILM - PANASONIC ECQ-E4104KF
- 20 OHM 5 W RESISTOR - TE ROX5SSJ20R
- 430 OHM 5 W RESISTOR - TE ROX5SSJ430R

# MY VERSION OF LES KERR'S MORSE-KOB INTERFACE

## RS-232 VERSION

**TO USB TO RS-2323 SERIAL BRIDGE**



FOR 4 OHM SOUNDER USE 9 VDC SOURCE WITH 20 OHM 5W LIMIT RESISTOR. THIS WILL RESULT IN 250MA LOOP CURRENT.

OK TO USE TWO 4 OHM SOUNDER IN SERIES WITH 9V SOURCE AND 20 OHM LIMIT RESISTOR.

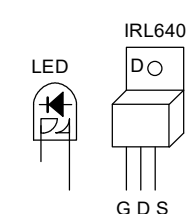
FOR 150 OHM SOUNDER USE 48 VDC SOURCE WITH 430 OHM 5W LIMIT RESISTOR. THIS WILL RESULT IN 90MA LOOP CURRENT. CHANGE FUSE TO 150MA

FOR 48VDC SOURCE CONSIDER TWO SERIES CONNECTED 24VDC WALL WART SUPPLIES

SWITCH RIGHT FOR LINE, LEFT FOR LOCAL

TYPICAL VOLTAGES FOR 9 VOLT :LOOP SUPPLY  
 LINE-LOCAL SET TO LINE

	SOUNDER	
	ON	OFF
KEY OPEN	X	
KEY CLSD		



Title MorseKOB Interface		
Author Paul Newland		
File p:\Users ... MorseKOB Interface 201219-01.dsn	Document	
Revision 1.0	Date 19-DEC-2020	Sheets 2