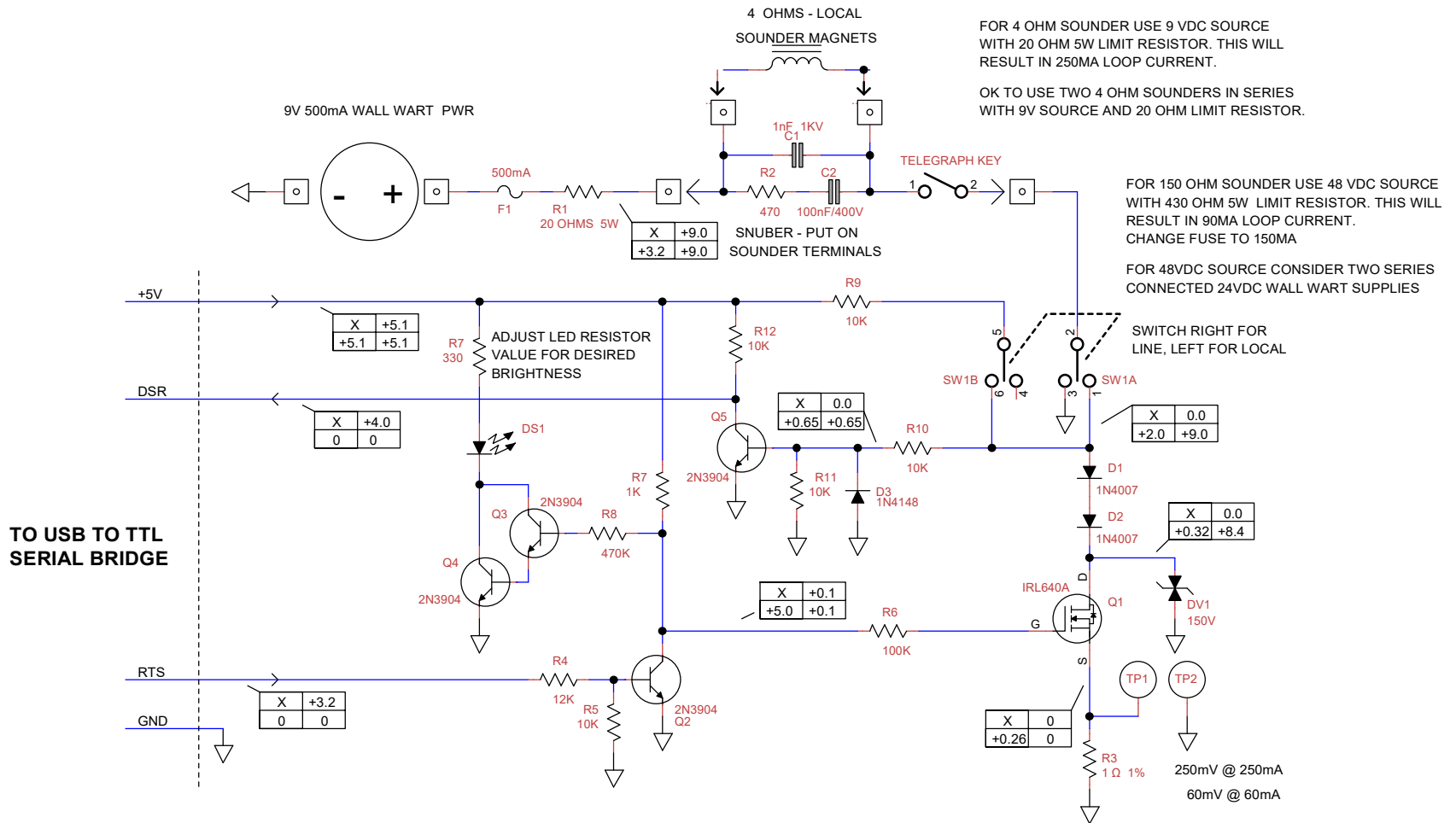


KEY PARTS RECOMENDATIONS
ALL ARE AVAILABLE FROM MOUSER.COM

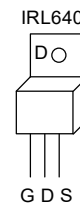
- POWER MOFSET - INFINEON IRL640A
- SUPPRESSOR DV1 150V - LITTLEFUSE P6KE150A
- FUSE 500mA - BEL 5ST-500R
- FUSE 160mA - BEL 5ST-160R
- 1nF 1KV - VISHAY H102K25X7RN63J5R
- 100NF 400V FILM - PANASONIC ECQ-E4104KF
- 20 OHM 5 W RESISTOR - TE ROX5SSJ20R
- 430 OHM 5 W RESISTOR - TE ROX5SSJ430R

MY VERSION OF LES KERR'S MORSE-KOB INTERFACE
USB TTL VERSION



TYPICAL VOLTAGES
 FOR 9 VOLT :LOOP SUPPLY
 LINE-LOCAL SET TO LINE

	SOUNDER ON	OFF
KEY OPEN	X	
KEY CLSD		X



Title MorseKOB Interface		
Author Paul Newland		
File p:\Users ... MorseKOB Interface 201219-01.dsn	Document	
Revision 1.0	Date 19-DEC-2020	Sheets 2